

DP16UL

16 Speed Drill Press

Assembly & Operating Instructions



READ ALL INSTRUCTIONS AND WARNINGS BEFORE USING THIS PRODUCT.

This manual provides important information on proper operation & maintenance. Every effort has been made to ensure the accuracy of this manual. These instructions are not meant to cover every possible condition and situation that may occur. **We reserve the right to change this product at any time without prior notice.**

IF THERE IS ANY QUESTION ABOUT A CONDITION BEING SAFE OR UNSAFE, DO NOT OPERATE THIS PRODUCT!

HAVE QUESTIONS OR PROBLEMS? DO NOT RETURN THIS PRODUCT TO THE RETAILER - CONTACT CUSTOMER SERVICE.

If you experience a problem or need parts for this product, visit our website <http://www.buffalotools.com> or call our customer help line at **1-888-287-6981**, Monday-Friday, 8 AM - 4 PM Central Time. A copy of the sales receipt is required.

FOR CONSUMER USE ONLY – NOT FOR PROFESSIONAL USE.

KEEP THIS MANUAL, SALES RECEIPT & APPLICABLE WARRANTY FOR FUTURE REFERENCE.

TABLE OF CONTENTS

RECOGNIZE SAFETY SYMBOLS, WORDS AND LABELS	2
SERVICE.....	6
SPECIFIC SAFETY RULES AND/OR SYMBOLS.....	6
PACKAGE CONTENTS.....	7
COMPONENTS.....	7
ASSEMBLY	9
OPERATION	11
MAINTENANCE	12
ACCESSORIES.....	13
TROUBLESHOOTING.....	13
PARTS DIAGRAM.....	14
PARTS LIST.....	14

RECOGNIZE SAFETY SYMBOLS, WORDS AND LABELS

What You Need to Know About Safety Instructions

Warning and Important Safety Instructions appearing in this manual are not meant to cover all possible conditions and situations that may occur. Common sense, caution and care must be exercised when assembling or using this product.

Always contact your dealer, distributor, service agent or manufacturer about problems or conditions you do not understand.

 WARNING This is a safety alert symbol. It is used to alert you to potential personal injury hazards. Obey all safety messages that follow this symbol to avoid possible injury or death.

 CAUTION This is a safety alert symbol. It is used to alert you to potential personal injury hazards. Obey all safety messages that follow this symbol to avoid possible injury or death.

GENERAL PRODUCT SPECIFICATIONS



FEATURES:

- Enclosed Fan Cooled Motor
- Belt Drive Speed Adjustment
- Rack & Pinion Table Raises And Lowers Easily
- Cast Iron Table, Base And Drill Body
- 12" Diameter Dry Round Table Tilts 45 Degrees Left & Right
- Laser Centering Light

SPECIFICATIONS

- | | |
|------------------|--------------------|
| • Rated Current | 4.8 AMP / 550 Watt |
| • Rated Voltage | 120V / 60 Hz |
| • Max Speed | 260 - 4,220 RPM |
| • Chuck Capacity | 5/8" |
| • Motor: | 1/2 HP |

KEEP THIS MANUAL, SALES RECEIPT & APPLICABLE WARRANTY FOR FUTURE REFERENCE. READ ALL INSTRUCTIONS AND WARNINGS BEFORE USING THIS PRODUCT. When unpacking, check to make sure all parts listed are included. If any parts are missing or broken, please call Customer Service at 1-888-287-6981.

FOR CONSUMER USE ONLY – NOT FOR PROFESSIONAL USE

IMPORTANT SAFETY RULES

COMMON SENSE AND CAUTION ARE FACTORS WHICH CANNOT BE BUILT INTO ANY PRODUCT. THESE FACTORS MUST BE SUPPLIED BY THE OPERATOR.

⚠ WARNING

Keep your work area clean and well lit. Cluttered work benches and dark work areas may cause accidents or injury.

Do not operate drill in explosive areas, such as in the presence of flammable liquids, gases or dust. The drill may create sparks which may ignite the dust or fumes.

Keep bystanders, children & visitors away while operating the drill. Distractions can cause you to lose control.

⚠ WARNING

Double insulated tools are equipped with a polarized plug (one blade is wider than the other.) This plug will fit in a polarized outlet only one way. If the plug does not fit fully in the outlet, reverse the plug. If it still does not fit, contact a qualified electrician to install a polarized outlet. Do not change the plug in any way. Double insulation eliminates the need for the three wire grounded power cord and grounded power supply system.

Avoid body contact with grounded surfaces such as pipes, radiators, ranges and refrigerators. There is an increased risk of electric shock if your body is grounded.

Do not abuse the cord. Never use the cord to carry the tool or pull the plug from an outlet. Keep the cord away from heat, oil, sharp edges, or moving parts. Replace damaged cords immediately. Damaged cords increase the risk of electric shock.

When operating the tool outside, use an outdoor extension cord marked “WA” or “W.” These cords are rated for outdoor use and reduce the risk of electric shock. Make sure the extension cord being used is in good condition. If there are any cuts or nicks (no matter how deep) in the insulation, DO NOT use that cord. Also, make sure the extension cord is heavy enough to carry the current needed. DO NOT use small "around-the-house" lamp extension cords. These cords can easily overheat and/or catch fire when used with power tools.

⚠ CAUTION

Do not force tool. Use the correct tool for your application. The correct tool will do the job better and safer at the rate for which it is designed.

Do not use the tool if the power switch does not turn it “ON” or “OFF”. Any tool that cannot be controlled with the switch is dangerous and must be repaired.

Disconnect the power cord plug from the power source before making any adjustments, changing accessories or storing the tool. Such preventive safety measures reduce the risk of starting the tool accidentally.

Store idle tools out of reach of children and other untrained persons. Tools are dangerous in the hands of untrained users.

⚠ DANGER

People with pacemakers or other electronic devices should consult with a physician before operating this product. Interruption or failure of the pacemaker could occur when electrical equipment is operated within close proximity of electrical devices.

⚠ WARNING

Wash hands after handling the power cord. Touching the power cord could expose you to lead, which is known in the State of California to cause cancer, birth defects and other reproductive harm.

⚠ WARNING

All work areas should be clean and well lit. Accidents are more likely to occur in poorly lit and cluttered areas.

⚠ WARNING

Keep children, and other distractions at a distance while operating power tools.

⚠ WARNING

Keep the power cord in good condition, and replace damaged cords immediately. Do not use the cord to pull the plug from the outlet. Keep the cord away from materials and surfaces that could damage cords. The risk of electric shock increases when the power cord is damaged.

⚠ WARNING

Always use the appropriate extension cord, making sure it is rated for use with drills. Always be sure the extension cords are in good condition, free of cuts or nicks in the insulation. If using the drill in an outside area with an extension cord, make sure the cord is rated for outdoor use.

⚠ WARNING

Do not make contact with a grounded surface while using this power tool. Contact with surfaces like pipes, radiators or major appliances increases your risk of electric shock.

⚠ WARNING

Use common sense while operating this drill.

Do not use this drill if you are:

- Feeling tired or are under the influence of alcohol or drugs.
- Wearing loose clothing or jewelry. Keep long hair pulled back and away from moving parts.
- Overreaching or have improper footing. Handling the tool in this way could cause serious injury.

When using this drill always:

- Wear the proper safety equipment, such as safety goggles, dust masks, non-skid shoes, etc.
- Be sure all adjusting keys or wrenches have been removed before starting the drill.
- Be sure the power switch is in the "OFF" position before plugging the drill into an electrical outlet.

⚠ CAUTION

Follow these steps to maintain safe working conditions and good working condition of power tools.

Improper care can result in electric shock or serious injury.

- Secure and support the work piece using clamps. **Do not use your hands to hold the piece in place.**
- Use the correct tool for the job.** Using the correct tool is safer and faster.
- Make sure the power switch is in good working order.** If the power switch no longer turns the tool "ON" or "OFF", discontinue use, and have the tool replaced or repaired.
- Remove the power cord from the power source before storage, changing accessories, or moving the tool.**
- Keep out of reach of children**, or any untrained person. Store tools in a safe and dry place.
- Keep tools clean, and cutting tools sharp.** Maintaining tools with proper care will increase the life of the power tool, and reduce the risk of injury.
- Check to be sure all moving parts are free from binding and are properly aligned.**
- Use only accessories that are recommended by the manufacturer for your tool model.

⚠ WARNING

Safety glasses and ear protection must be worn during operation.

SERVICE

Tool service must be performed only by qualified repair personnel. Service or maintenance by unqualified personnel could result in a risk of injury.

When servicing a tool, use only identical replacement parts and follow instructions in the manual. Use of unauthorized parts or failure to follow maintenance Instructions may create a risk of shock or injury.

SAVE THESE INSTRUCTIONS FOR FUTURE REFERENCE.

This manual contains important information regarding safety, operation, maintenance and storage of this product. Before use, read carefully and understand all warnings, cautions, instructions and labels. Failure to do so could result in serious personal injury, property damage or even death.

IMPORTANT SAFETY INSTRUCTIONS

WARNING

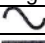



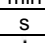
Before using this tool, you need to become familiar with its operation. If you are unsure about the operation of the tool, or have any questions about its proper use, call the Customer Service Department at 1-888-287-6981. Follow these instructions for safe handling of the tool:

- **Always secure and support the work piece using clamps. Do not use your hands to hold the piece in place.**
- **Be sure your work area is clean and secure before turning the power switch into the “ON” position.** Be sure the area is free from all foreign material, nails, staples, or any other material.
- **Turn the drill “OFF” and unplug from the power source before making any changes or adjustments to the drill.**
- **Do not use solvents containing carbon tetrachloride, ammonia or acetone to clean the drill.** Never use gasoline, paint thinner, or other caustic chemicals that can damage the plastic parts of the tool.
- **Always use the appropriate safety gear when operating this drill.** Including but not limited, to goggles, dust mask or respirator. Always work in a well-ventilated area to reduce your exposure to harmful chemicals and dust particles.
- **Keep hands away from the cutting area.**
- **Do not reach under the work piece.**

SPECIFIC SAFETY RULES AND/OR SYMBOLS

SYMBOLS

The following symbols may be used on your tool. Be familiar with and learn the symbols to operate the tool safely.

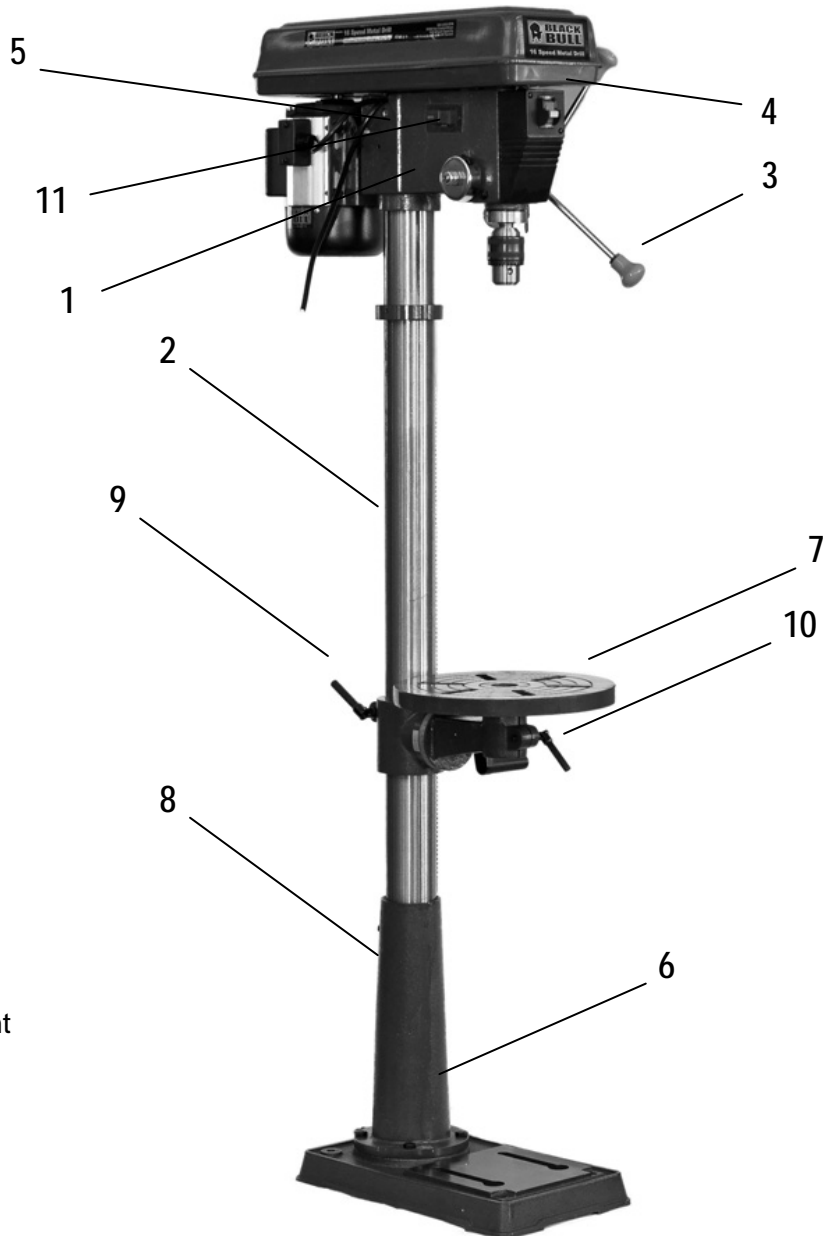
Symbol	Name	Description
V	Volts	Voltage (Potential)
A	Amperes	Current
Hz	Hertz	Frequency (Cycles per Second)
W	Watt	Power
Kg	Kilograms	Weight
	Alternating Current	Type of Current
	Direct Current	Type of Current
	Alternating or Direct Current	Type of Current
	Earthing Terminal	Grounding Terminal
	Class II Construction	Denotes Double Insulation
min	Minutes	Time
s	Seconds	Time
ϕ	Diameter	Size of Drill Bits, Grinding Wheels, etc.
n_0	No Load Speed	No-load Rotational Speed
.../min	Revolutions per Minute	Revolutions, Surface Speed, Strokes, etc. per Minute
1,2,3...	Ring Selector Settings	Speed, Torque or Position Settings

PACKAGE CONTENTS

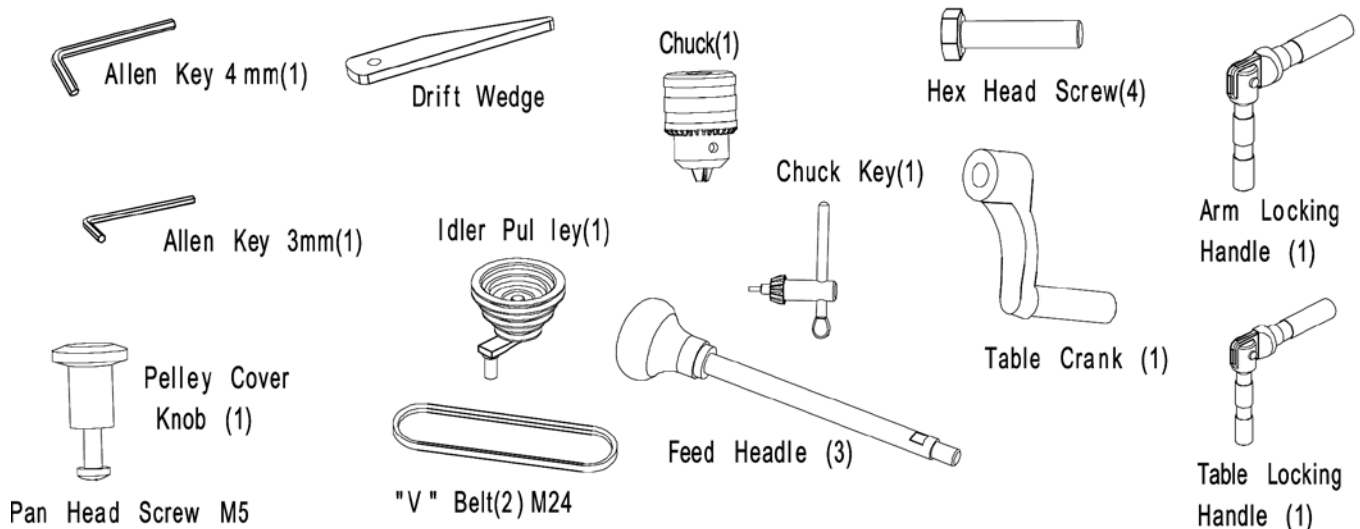
- 16 Speed Drill Head Assembly
- Table Assembly
- Base
- Column Assembly
- Chuck Guard Assembly
- Assorted loose parts

COMPONENTS

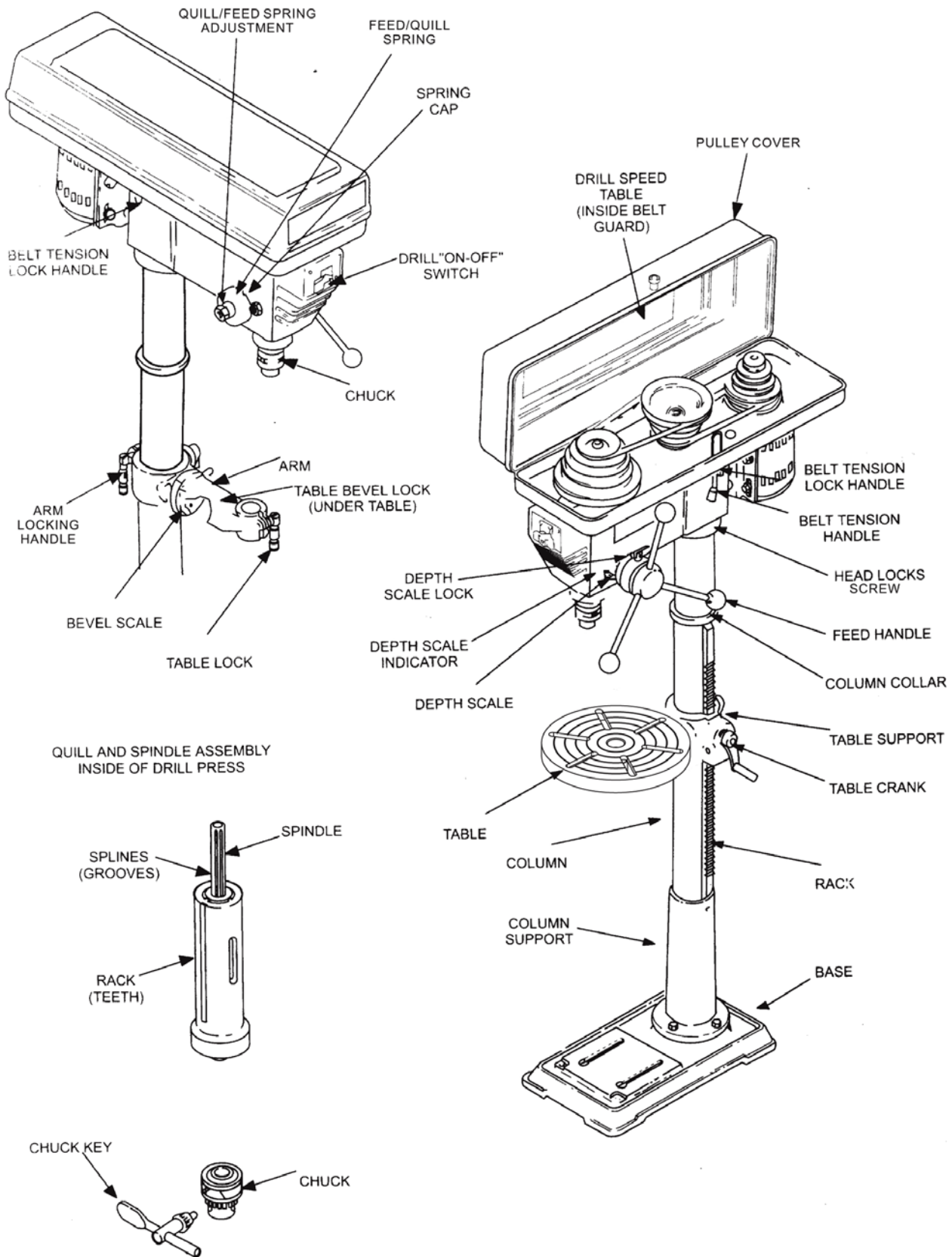
- 1) Quill Feed Spring Adjustment
- 2) Column
- 3) Feed Handle
- 4) Power Switch
- 5) Laser Light Switch
- 6) Base
- 7) Table
- 8) Column Support
- 9) Arm Locking Handle
- 10) Table Lock
- 11) Laser Light Battery Compartment



ASSORTED LOOSE PARTS



PARTS DESCRIPTION



ASSEMBLY

⚠ WARNING

Do not stare directly at the laser beam. Never aim the beam at any person or object other than the work piece. Do not deliberately aim the beam at personnel. Staring at the beam may cause flash blindness.

NOTE

Unpack product from package and review contents. Keep all packaging until product has been reviewed.

Do not operate the machine until it is completely assembled.

Make sure the proper electrical regulations are followed, and that the machine is properly grounded. Before switching the machine ON, ALWAYS: a. Make sure all chuck keys, spanners and wrenches are removed from the machine. b. Examine the setup carefully, making certain that the workpiece is perfectly secure. c. Make sure your clothing is properly adjusted.

Make all adjustments with the power OFF.

Always use the correct drilling speeds for the drill size, and the type of material being drilled.

NEVER leave the drill unattended while it is running. Turn the machine OFF and do not leave until it has come to a complete stop. When you have finished with the machine, always remove and store the drill bits.

CAUTION: This Drill Press is designed for use with Drill Bits and Mortising attachments ONLY.

The use of other cutting tools or accessories could be hazardous. ALWAYS use clamps, or a drill vise bolted to the table, to hold the work. It should NEVER be held in bare hands.

Using the Laser

The laser light/laser radiation used in this laser centering device system is Class 2 with maximum 1 mW and 400nm - 700nm wavelengths. These lasers do not normally present an optical hazard, although staring at the beam may cause flash blindness.

Changing the Batteries

Unclip the battery cover to gain access to the batteries. (Figure A)
Replace both AA batteries, taking care to insert the new batteries with the correct polarity. (Figure B)



(Figure A)



(Figure B)

Use only 2 AA batteries. DO NOT mix old and new batteries. DO NOT mix alkaline, standard (carbon-zinc) or rechargeable (nickel-cadmium) batteries.

Replace the laser light battery cover and make certain that the light is not directed towards the eye of a person. Always make sure that the laser beam is aimed at a sturdy work piece without reflective surfaces, i.e. wood or rough surfaces are acceptable. Bright, shiny, reflective sheet steel or the like is not suitable for laser use, as the reflective surface could direct the beam back at the operator. Only turn the laser beam on after the work piece is in place. CAUTION: Remove the laser light batteries when tool is to be stored without use for a few days.

Resetting the Laser Beam

Loosen the set screw on each of the laser tubes and adjust the tubes until the two beams intersect at the point where the drill bit touches the work piece. Retighten the set screws more. If left in position, the batteries might leak and damage the laser light assembly. Damage caused by battery leakage is not covered under warranty.

Column Assembly to Base

NOTE: Ideally, the base should be firmly bolted to the floor, prior to assembly of other components. The mounting surface must be flat, level and capable of supporting the drill weight.

With the base on a flat level surface, bolt on the Column using the 4.M10 Hex head screws provided and tighten. Carefully locate the table in its support and tighten up with the table locking handle. Check to make sure the column securing set screws, at the column support, are tight. Fit the crank to the shaft on the crank assembly.

Head to Column

NOTE: It may be necessary to unscrew the Head Lock Set Screws slightly to make sure they do not protrude internally as this would prevent the head from sliding fully into position. 1. Raise the head and locate it on top of the column. 2. Align the head with the base and firmly secure with the set screws using the wrench. Locate the three feed handles and screw them into the hub of the spindle feed shaft.

Chuck Guard Assembly

NOTE: This operation should be carried out before the chuck is installed. Slide the Chuck Guard over the Quill shaft, turn it so that the pinch bolt faces the front, then tighten up the pinch bolt to temporarily secure it in this position. IMPORTANT Make sure the Quill Shaft Spindle is at the top of its travel.

Pulley Cover Knob

Locate the knob, with pan head screw and attach to the cover, screwing on tightly.

Installing the Chuck

1. Slide the table up the column and secure it to within 6" of the spindle.
 2. Open the jaws of the chuck to their maximum, using the chuck key supplied.
 3. Put a piece of scrap wood on to the table to protect the chuck nose.
 4. Make sure all parts are thoroughly clean, dry, and burr free.
- Place the chuck over the end of the arbor and pull the spindle down using the feed handles, pressing the chuck jaws hard against the piece of scrap wood until the chuck is securely in place.
5. Turn Chuck Guard 180 degrees and tighten Lock Set Screws slightly to make sure pinch bolt.

Fitting the Drive Belts

Undo the Belt Tension Locking Screws (one on either side of the head) and turn the Belt Tension Lever clockwise to bring the Motor Pulley closer to the Spindle Pulley (which will allow the belts to be slipped on with ease).

Lightly grease the idler pulley pivot shaft and locate the idler pulley assembly in its' mounting between the Motor and spindle Pulleys. Consult the chart inside the belt cover, and fit the belts in the position corresponding to spindle/drill speed required.

Turn the Belt Tension Lever counter-clockwise so that tension is applied to the belts. Tension is correct when the belts deflect by approx. 1/2" at their centers of run when using reasonable thumb pressure. Lock the motor in the position with the Belt Tension Locking Screws. 1. The idler pulley will 'float' so that tension is applied equally to both belts 2. If the belt should slip while drilling, adjust the belt tension.

SETTINGS AND ADJUSTMENTS

Table

The table may be raised, lowered or swivelled about the column, by loosening the table support locking handle (Fig.8). Adjust accordingly using the table crank, and re-tighten the locking handle. If the table assembly moves stiffly when being swivelled about the column, loosen the upper collar allen screw (at the rack) to allow the collar to move very slightly, thereby providing a little more clearance between rack and collar. Tighten the allen screw when satisfied. The table may also be turned on its axis by loosening the pinch bolt at its' mounting shaft.

Spindle Depth

Located around the spindle feed shaft is a Depth Stop Collar, printed with a graduated scale. The collar is capable of turning about the shaft and may be locked in place by the locking screw. The scale is printed in both inches and metric. To set a drilling depth: 1. With the power OFF, lower the drill bit so that it contacts the work, and hold in that position. 2. Loosen the locking screw and turn the collar so that the measurement for the depth of hole required is in line with the pointer (C). Lock the collar in this position using the locking screw. The drill is now set to drill holes to your predetermined depth, from that particular start point.

Changing Drill Speed

Before changing the speed, make sure the machine is switched OFF, and unplugged. Undo the Belt Tension Locking Screws on either side of the head and turn lever clockwise to relieve any tension on the belts. Refer to the chart inside the belt cover install the belts in the positions corresponding to the spindle speed required. Level the motor, on its bracket, away from the head, by turning lever counter clockwise so that tension is applied to the belts.

NOTE: The idler pulley will 'float' so that tension is equally applied to both belts. Tension is correct when the belts deflect by approx. 1/2" at their center when using reasonable thumb pressure. Lock the motor in this position using the two locking screws. If the belt should slip while drilling, adjust the belt tension.

OPERATION



Wear safety eyewear and dust filters or respirators while using this tool.

Insert the drill bit into the jaws of the chuck by approximately 1". Be certain that the jaws do not touch the flutes of the drill. Before tightening the chuck, make sure that the drill bit is centered within the jaws. Make sure the table height and position is set so that drill travel is sufficient for the job in hand.

Make sure the work is securely clamped, or held in a drill vise bolted to the table. Never hold it with bare hands. Severe personal injury may be caused if the workpiece is forced out of the operator's hand, and damage to the machine incurred if the work strikes the column. If the piece is of irregular shape and cannot be laid flat on the table, it should be securely blocked and clamped. Any tilting, twisting or shifting, results not only in a rough hole, but also increases drill bit breakage.

For small workpieces that cannot be clamped to the table, use a Drill Press Vise. The vise must be clamped or bolted to the table. When drilling completely through wood, always position a piece of scrap wood between the workpiece and the table to prevent splintering on the underside of the workpiece as the drill breaks through. The scrap piece of wood must make contact with the left side of the column. In addition, set the depth of drill travel so that the drill cannot possibly come into contact with the table, or, align the table so that the center hole is directly in line with the drill bit. When completely satisfied that the setup is sound, lower the Chuck Guard into place, and switch the machine ON.

Insert KEY into switch. Key is made of yellow plastic. A light is also provided which is built into the head. The light switch is located above the ON/OFF switch.

REMOVING THE CHUCK

STOP! Please read the following directions completely before attempting to remove the chuck. The more time you take to understand the process, the easier the steps will be. You will also need to be familiar with the names of the parts described below. Please refer to the parts diagram on page 8 for identification of these parts.

To remove the Quill from the arbor, fully extend the spindle downward by turning the feed handle. The slot in the side of the Quill will become visible once the spindle is fully extended. Note the position of the chuck, perhaps by placing a chalk mark, in line with the chuck, on the column, then raise the table so that it is only an inch or so below the position marked.

Place a thick cloth, or similar material, on the table to catch the chuck to prevent damage when it separates from the Quill. Pull down the spindle once more, until the slot in the side of the Quill is visible. Insert the wedge key (included in the package) into the slot and give it a sharp tap, preferably with a copper hammer. This will break the seal between the quill tube and the arbor, allowing the chuck to fall free, on to the cloth on the table. Some force will need to be exerted to separate the quill from the arbor.

To disconnect the chuck from the arbor, give it a sharp rap with a soft head mallet to break the taper seal. Again, some force will need to be exerted to separate the two pieces. It is not necessary to separate the Quill from the arbor, as described in the paragraph above, if only the chuck needs to be removed from the arbor.

NOTE: Morse taper drills (MTS), may also be used with this machine, and are inserted into the Quill to replace the arbor. Removal is the same as that for removing the chuck.

MAINTENANCE

⚠ WARNING

Disconnect the power supply before cleaning. Wear safety eyewear before cleaning. Used compressed dry air to blow off dust and debris. Use a soft bristle brush if compressed air is not available.

CAUTION

Applying excessive force to the tool can overload the motor, decrease the life and increase the wear on the tool.

CAUTION

Some chemicals can damage the product. Do not use harsh chemicals such as gasoline, carbon tetrachloride, paint thinner, etc.

CAUTION

A qualified repair technician must perform any tool service or repair. Service or maintenance performed by unqualified personnel could result in injury. Use only identical replacement parts. Use of unauthorized parts or failure to follow maintenance instructions may create a risk of electric shock or injury.

⚠ WARNING

Do not make contact with a grounded surface while using drill press. Contact with surfaces like pipes, radiators or major appliances increase your risk of electric shock.

The Drill Press must be properly maintained for maximum performance. Always inspect before use. Any damage should be repaired, and faults rectified. Please refer to the troubleshooting chart. If you are unable to correct any problems, please contact customer service.

Monthly (When in constant use)

1. Check tightness of mounting bolts, and head and column securing set screws.
2. Check belt for wear and replace if frayed or damaged in any way.
3. Blow out any dust that may have accumulated in the motor fan.
4. Apply a thin coat of wax paste or light oil to the column for lubrication and to help prevent corrosion.

Lubrication

All bearings are packed with grease at the factory and require no further lubrication..

ACCESSORIES

Use only accessories that are recommended by the manufacturer for your model. Accessories that may be suitable for one tool may become hazardous when used on another tool.

Always attach grounded (3-prong) extension cords to grounded (3-prong) outlets.

If you must use an extension cord, be sure that the gauge is large enough to carry the amount of current necessary for your power tool. If not, your tool may experience a loss of power, excessive voltage drop or overheating. For example, the smaller the gauge number, the heavier the cord.

TROUBLESHOOTING

Noisy? Review the probable cause and remedy:

- | | |
|---------------------------|--|
| A) Incorrect belt tension | A) Adjust tension operation |
| B) Dry spindle | B) Remove spindle / quill assembly and lubricate |
| C) Loose pulley lubricate | C) Tighten Pulley |
| D) Worn bearing | D) Replace bearing |

Excessive drill wobble? Review the probable cause and remedy:

- | | |
|----------------------------|--|
| A) Loose chuck | A) Tighten by pressing chuck down on to a block of wood against the table. |
| B) Worn spindle or bearing | B) Replace spindle shaft or bearing |
| C) Worn chuck | C) Replace chuck |
| D) Bent drill bit | D) Replace drill bit |

Motor won't start? Review the probable cause and remedy:

- | | |
|---------------------------|--------------------------------|
| A) Power supply | A) Check power cord/fuse start |
| B) Motor connection | B) Check motor connections |
| C) NVR switch connections | C) Check switch connections |
| D) Faulty Switch | D) Replace switch |
| E) Motor Windings Burned | E) Replace Motor |

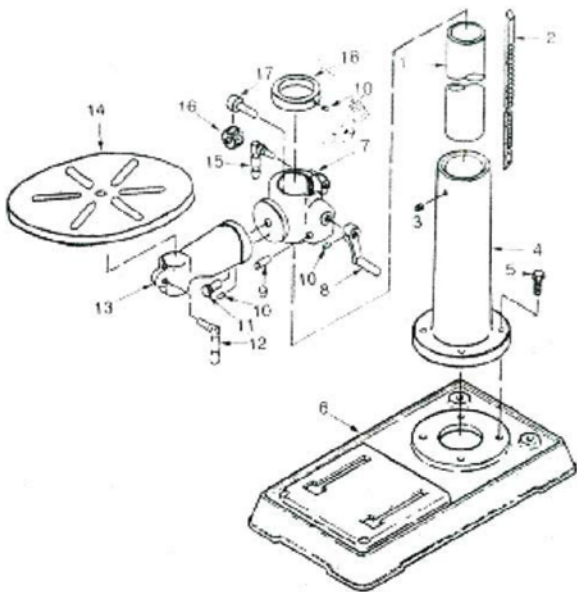
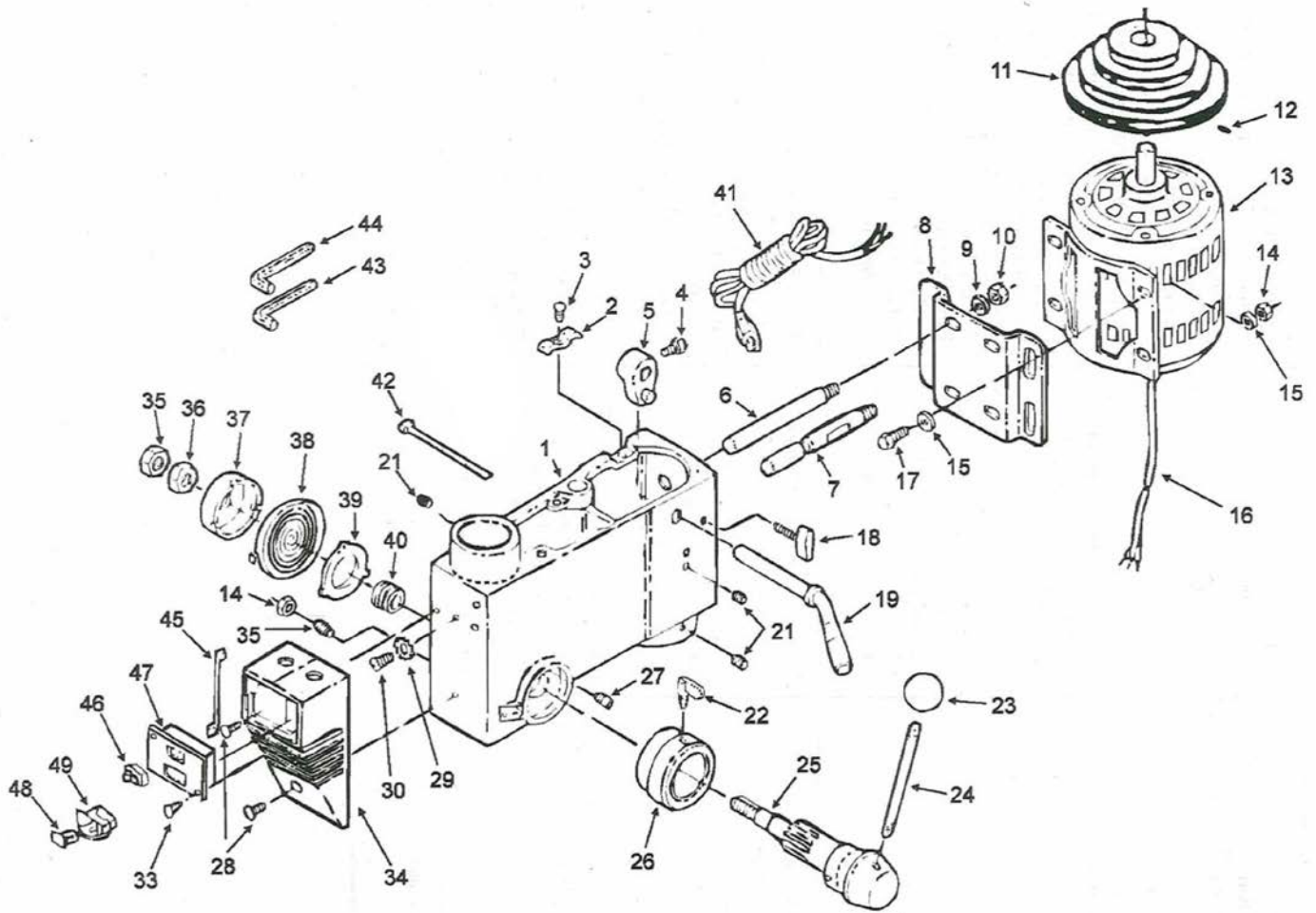
Drill Bit Binds in Workpiece? Review the probable cause and remedy:

- | | |
|----------------------------|---|
| A) Excessive Feed Pressure | A) Apply less pressure |
| B) Loose Belt | B) Check Belt tension |
| C) Loose Drill Bit | C) Tighten drill bit with key |
| D) Incorrect drill speed | D) Refer to Cutting Speed chart, and adjust drill speed accordingly |

Table difficult to raise? Review the probable cause and remedy:

- | | |
|-------------------------|-----------------------------|
| A) Needs lubrication | A) Lubricate with light oil |
| B) Table lock tightened | B) Loosen clamp |

HEAD ASSEMBLY DIAGRAM



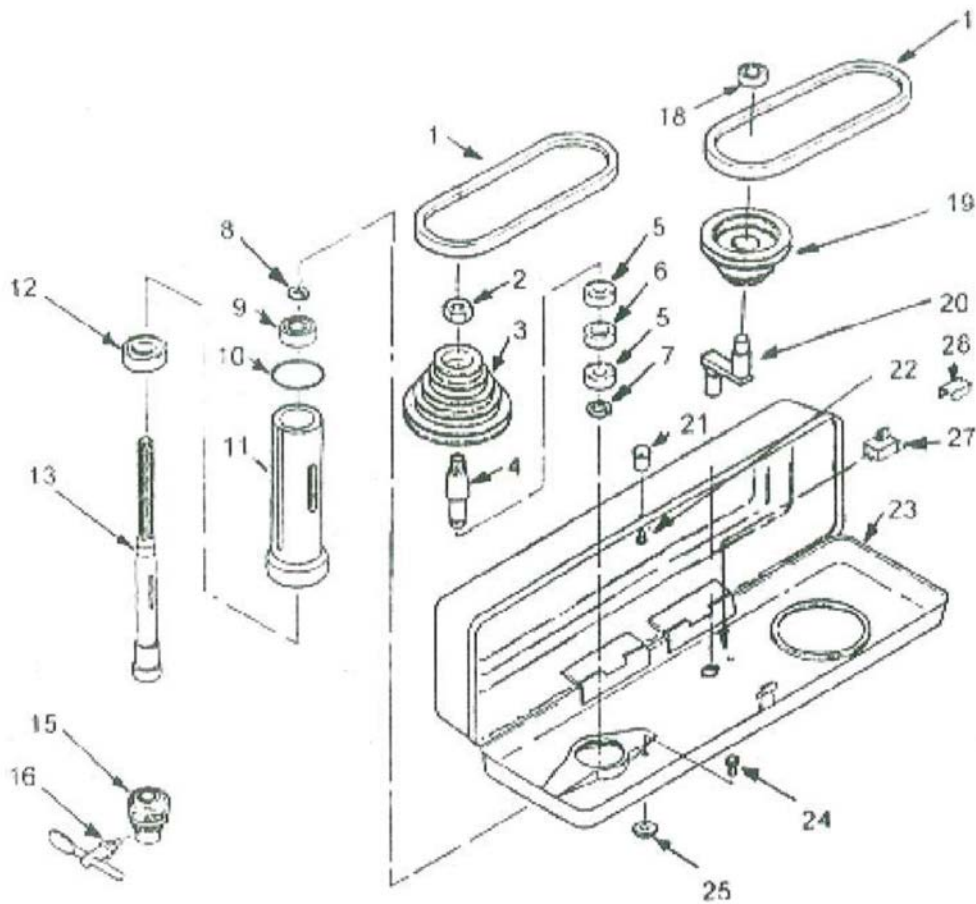
COLUMN/BASE ASSEMBLY DIAGRAM & PARTS LIST

DP1029-0001	Column	DD16101003
DP1029-0002	Rack	DD16101010
DP1029-0003	Hex Socket Screw Set	3040430
DP1029-0004	Column Support	DD16101002
DP1029-0005	Hex Socket Screw Set M10	3040508
DP1029-0006	Base	DD13301001
DP1029-0007	Table Support w/indicator	DDI 6101004
DP1029-0008	Crank	DDI3201009
DP1029-0009	Gear Pin	DD16101007
DP1029-0010	Socket Screw Set	3040487
DP1029-0011	Table Tilt Locking Screw MI6	3040440
DP1029-0012	Table Clamp	DD16101013
DP1029-0013	Arm w/Scale	DDI3301 005
DP1029-0014	Table	DD13301014
DP1029-0015	Arm Locking Handle	DD16101012
DP1029-0016	Helical Gear	DD16101006
DP1029-0017	Worm	DD16101008
DP1029-0018	Collar	DD16101011

PULLEY & SPINDLE ASSEMBLY

0001	Head w/pointer & trim	DD13302001B
0002	Cable Clamp	DD16102014
0003	Pan Head Screw M5	3040656
0004	Hex. Screw M8	3044506
0005	Adjusting Lever	DD16102006
0006	Motor Support Rod	DD16102003
0007	Motor Support Rod	DD16102002
0008	Motor Mount	DD16102007A
0009	Lock washer 12mm	DDGB93-87
0010	Nut Hex. M12	3040603
0011	Motor Pulley	DD13305005
0012	Socket Screw set	3044504
0013	Motor	DDYCG90M4-01
0014	Hex. Nut M8	3040601
0015	Washer M8	DDGB972-85
0016	Motor Cable	DD16102016B
0017	Hex. Screw M8	3040502
0018	Belt Tension Locking Screw	DD16102005
0019	Belt Tension Lever	DD16102004
0020	Roll Pin	DDGB79-86
0021	Head Lock Set Screw M8	DDGB80-85
0022	Depth Screw Lock	DD16104012
0023	Knob	DD13304011B
0024	Feed Handle	DD13204005
0025	Spindle Feed Shaft	DD13304001
0026	Depth Stop Collar w/Scale	DD13304003
0027	Stop Pin	DD13304010
0028	Connector Wire	DD13302019
0029	Ext. Lock washer 5mm	DDGB8621-87
0030	Pan Head Screw M5	3040485
0032	Pan Head Screw	DDGB845-85
0033	Pan Head Screw	3040495
0034	Switch Box	DD13302008A
0035	Screw-Special Set M8	DD13302021
0036	Hex.Nut M12	3040603
0037	Quill Spring Cap	DD16104008
0038	Quill Spring	DD16104009
0039	Quill Spring Retainer	DD16104007
0040	Quill Spring Seat	DD16104006
0041	Power Cable	DD13302015L
0042	Cable Tie	DD16102017
0043	Allen Key 4mm	DDGB5356-86
0044	Allen Key 3mm	DDGB5356-86
0045	Lead	DD13302029
0047	Switch Plate Cover	DD13202009
0048	Switch Key	DD16102011
0049	Locking Switch J-9301A	DD16102010B

COLUMN/BASE ASSEMBLY



COLUMN/BASE ASSEMBLY PARTS LIST

#	Description	Part #
0001	'V' Belt M24	DD16105011
0002	Pulley Nut	DD13302025
0003	Spindle Pulley	DD13305009A
0004	Pulley Insert	DD13302022
0005	Ball Bearing 17mm	60203BRG60203
0006	Spacer	DD13302023
0007	Circlip 17mm	DDGB8941-86
0008	Circlip 11 mm	DDGB8941-86
0009	Ball Bearing	60201BRG60201
0010	Quill Gasket	DD13303006
0011	Quill	DD13303002
0012	Ball Bearing	80202BRG80202
0013	3 Spindle Shaft	DD13303001
0015	Chuck JT3	DDJ2216
0016	Chuck Key	DD16103010
0018	Ball Bearing	60202BRG60202
0019	Idler Pulley	DD13305006
0020	Idler Pivot	DD16205007
0021	Knob	DD16105008
0022	Pan Head Screw M5	3040656
0023	Pulley Cover w1Labels	DD13305000
0024	Washer HD Screw M6	GB90741-88
0025	Foam Washer	DD13105009